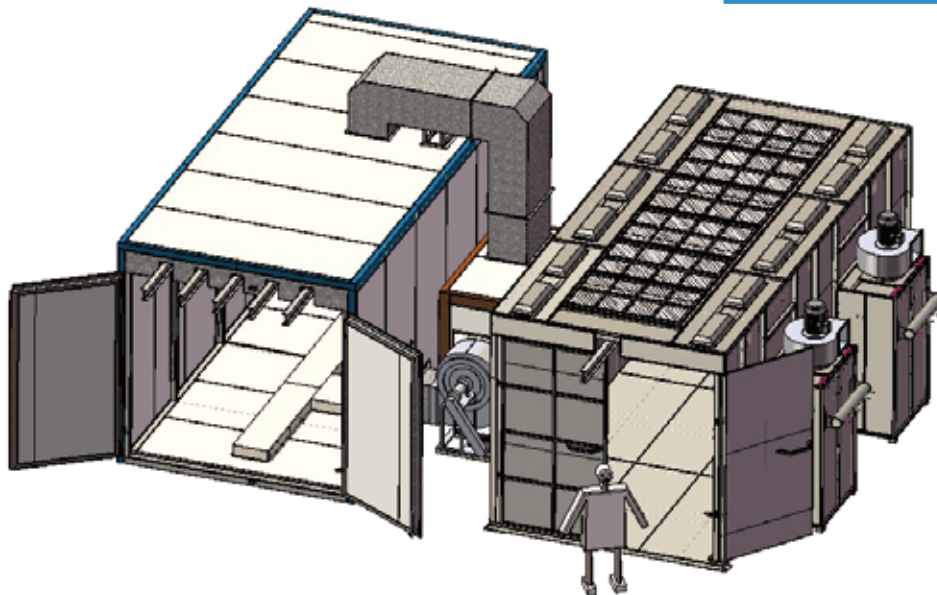
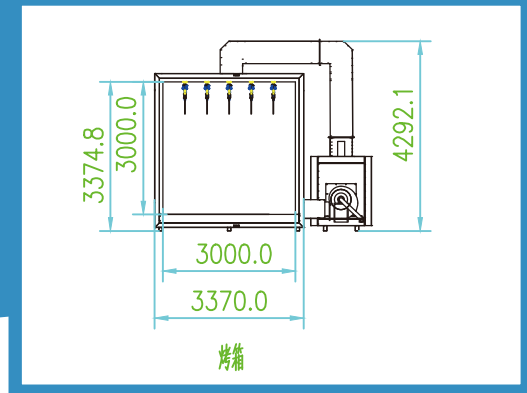
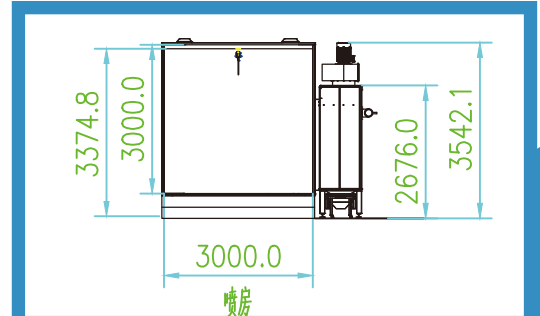
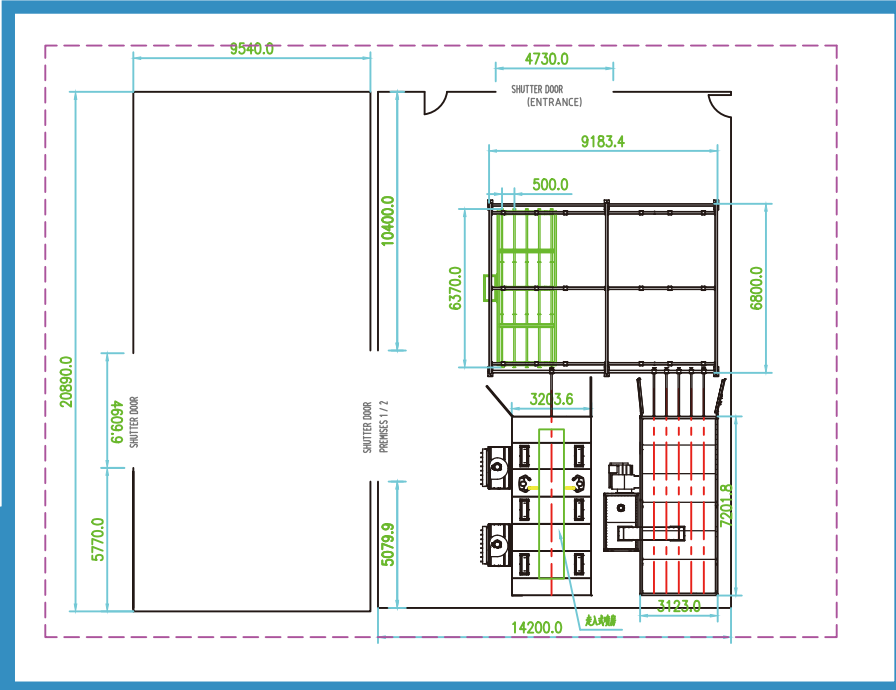


## Walk in powder coating plant for heavy part



- Suitable for factory space size more than: 21000\*14200mm
- For workpiece less than Width: 2800mm
- Height: 2800mm
- Length: 6000mm





## Application

